

Products Information

HC-49/S



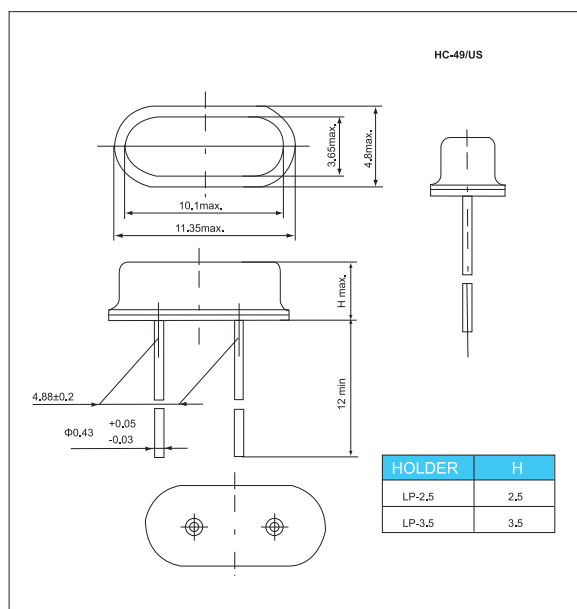
■ 用途

个人电脑、笔记本电脑、显示器、U盘、高频头、无线通信、数码相机、机顶盒、汽车电子、工控、仪表等。

■ 特征

- 高精密及高稳定性。
- 无铅符合绿色环保。
- 低价且高稳定性。

■ Outline Dimensions [mm] 外形尺寸



■ Table1: Frequency stability (ref. to 25 °C) 频率稳定性

O.P Temp.	± 2.5ppm	± 5ppm	± 10ppm	± 20ppm	± 30ppm
0~+50 °C	●	●	●	●	●
-10~+60 °C	●	●	●	●	●
-20~+70 °C		●	●	●	●
-40~+85 °C			●	●	●

■ Table2: Equivalent series resistance (ESR) 等效电阻

AT Fund.(MHz)	ESR()	AT Fund.(MHz)	ESR()
3.500~3.799	180	16.000~19.999	40
3.800~4.499	150	20.00~40.000	30
4.500~5.999	120	AT 3rd Overtone	ESR()
6.000~7.999	80	26.00~39.999	100
8.000~9.999	70	40.000~80.000	80
10.000~11.999	60	BT Fund. (MHZ)	ESR()
12.000~15.999	50	30.000~50.000	40

■ Typical specifications 规格参数

Type	型号	HC-49/S		
Frequency Range	频率范围	3~40MHz	26~80MHz	30~50MHz
Cut / Vibration mode	切型 L 振荡	(AT)Fundamental(基频)	(AT)3rd overtone(三次泛音)	(BT)Fundamental(基频)
Frequency tolerance(at +25 °C)	调整频差	$(\pm 5, \pm 10, \pm 20, \pm 30, \pm 50) \times 10^{-6}$		
Frequency stability	温度频差	See Table1 (见表1)		
Operating temperature range	工作温度	See Table1 (见表1)		
Equivalent series resistance	等效电阻	See Table2 (见表2)		
Load capacitance	负载电容	Series, 10pF, 12pF, 16pF, 20pF		
Shunt capacitance	静电容	5pF max.		
Level of drive	激励功率	10μW(100μW max.)		
Aging	老化率	±3, ±5ppm/year		
Storage temperature range	储存温度	-55~+125 °C		

Please consult for other specifications. (若有其它规格需求请告知)