

Products Information

MC-306



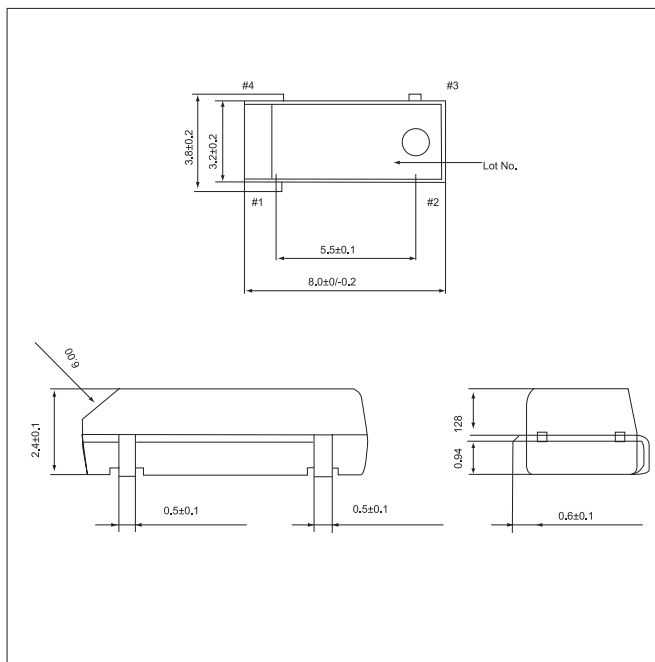
APPLICATIONS 用途

手表, 钟, 传呼机, 防盗系统, 等等。

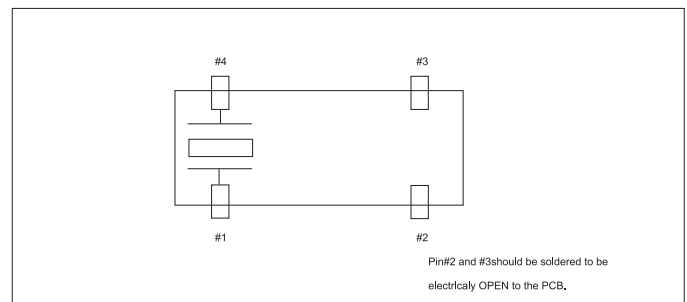
FEATURES 特征

- 适用于高温环境工作。
- 适用于低频率产品。
- 适合高密度组装。

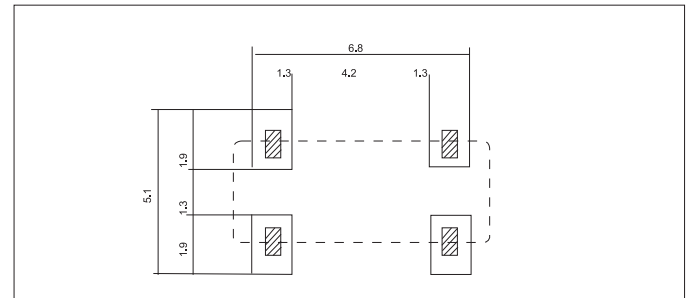
DIMENSIONS [mm]



INTERNAL CONNECTIONS



RECOMMENDED LAND PATTERN [mm]



STANDARD SPECIFICATION

Item	Type	MC-306
Frequency Range		32.768kHz(30~100kHz)
Load Capacitance		12.5pF
Drive Level		1.0±0.2μW
Frequency Tolerance		±10×10 ⁻⁶ , ±30×10 ⁻⁶ (at 25 °C)
Series Resistance		50kΩ max.
Turnover Temperature		+25±5 °C
Two Dimensional Temperature Constant		-0.04×10 ⁻⁶ °C max.
Operating Temperature Range		-40~+85 °C
Storage Temperature Range		-55~+125 °C
Shunt Capacitance		1.25pF Typ.
Packing Unit		3000pcs/reel

Please consult for other specifications. (若有其它规格需求请告知)