

# Products Information

## SM6035



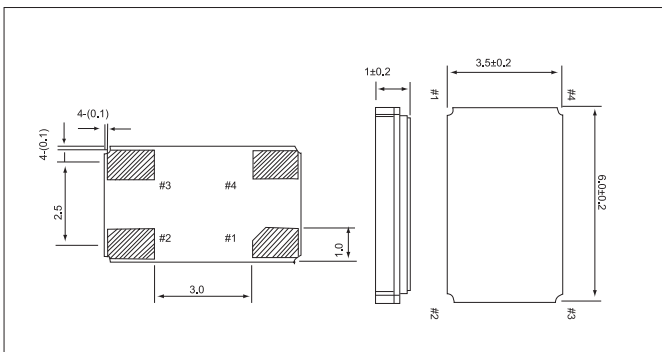
### ■ 用途

无线电话、小灵通、手机、卫星导航、蓝牙、网卡等

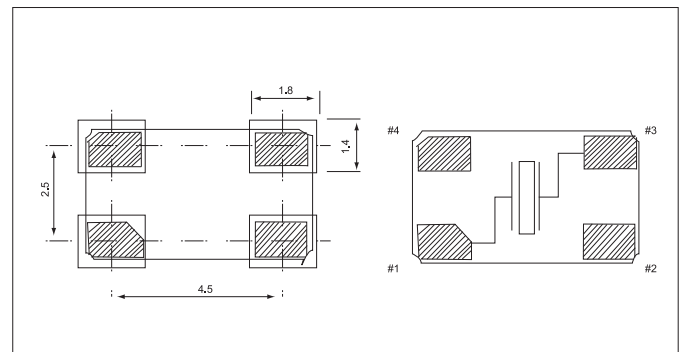
### ■ 特征

- 高精度及高稳定性。
- 无铅符合绿色环保。
- 回流焊、编带包装。

### ■ RECOMMENDED LAND PATTERN [mm]



### ■ DIMENSION [mm]



### ■ STANDARD SPECIFICATION

Item	Type	SM6035			
		8~10MHz	10~12MHz	12~50MHz	40~80MHz
Frequency Range		8~10MHz	10~12MHz	12~50MHz	40~80MHz
Mode		Fundamental			3rd Overtone
Load Capacitance		Series, 8pF, 10pF, 12pF, 16pF			Series
Drive Level		10μW(100μW max.)	10μW(300μW max.)	10μW(500μW max.)	
Frequency Tolerance		±10ppm, ±20ppm, ±30ppm(at 25 °C)			
Equivalent Series Resistance Frequency Stability(Temp)		150Ω max.	80Ω max.	50Ω max.	70Ω max.
		±10ppm/-10~+60 °C			
		±20ppm/-20~+70 °C			
Operating Temp.Range		±30ppm/-40~+85 °C			
Storage Temp.Range		-10~+60 °C			
		-55~+125 °C			

Please consult for other specifications. (若有其它规格需求请告知)