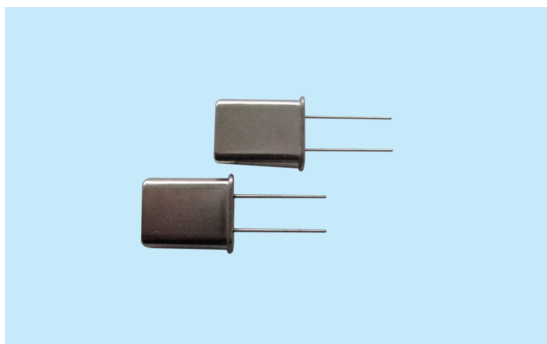


HC-49/U



APPLICATIONS 用途

Microprocessor, VTR, Household appliances, codeless phone, Communication equipments, etc.

微处理器, 录相机, 家用电器, 无绳电话, 通讯设备, 等等。

FEATURES 特征

- Metal package. 金属封装。
- Excellent frequency aging stability. 具备优质的频率老化特性。
- High heat & shock resistance. 高耐热耐冲击电阻。

Outline Dimensions [mm] 外形尺寸

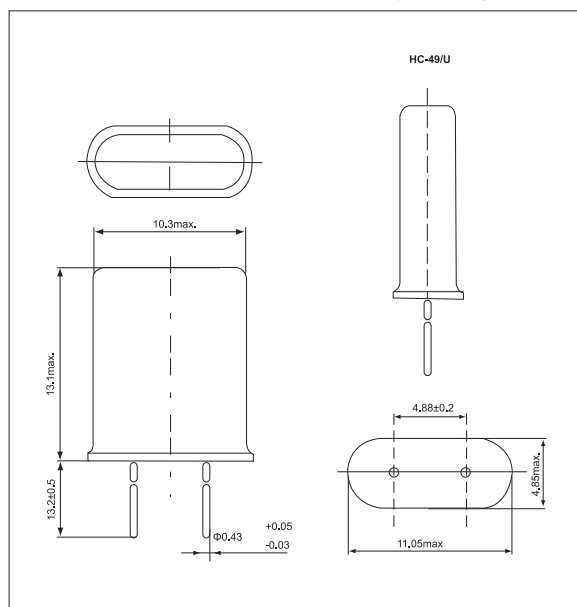


Table1: Frequency stability (ref. to 25°C) 频率稳定性

O.P Temp.	± 2.5ppm	± 5ppm	± 10ppm	± 20ppm	± 30ppm
0~+50°C		●	●	●	●
-10~+60°C		●	●	●	●
-20~+70°C			●	●	●
-40~+85°C			●	●	●

Table2: Equivalent series resistance (ESR) 等效电阻

AT Fund.(MHz)	ESR(Ω)	AT Fund.(MHz)	ESR(Ω)
1.5~1.99MHz	700	5.0~6.99MHz	50
2.0~2.99MHz	500	7.0~9.99MHz	35
3.0~3.19MHz	300	10.0~40.0MHz	25
3.2~3.99MHz	150	AT 3rd Overtone	ESR(Ω)
4.0~4.49MHz	90	20.0~24.99MHz45	45
4.0~4.99MHz	70	25.0~90.0MHz	40

Typical specifications 规格参数

Type	型号	HC-49/U	
Frequency Range	频率范围	1.5~40.0MHz	20.0~90.0MHz
Cut / Vibration mode	切型 L 振荡	(AT)Fundamental(基频)	(AT)3rd overtone(三次泛音)
Frequency tolerance(at +25°C)	调整频差	±10 ⁻⁶ , ±20 ⁻⁶ , ±30×10 ⁻⁶ (at 25°C)	
Frequency stability	温度频差	See Table1 (见表1)	
Operating temperature range	工作温度	See Table1 (见表1)	
Equivalent series resistance	等效电阻	See Table2 (见表2)	
Load capacitance	负载电容	Series, 16pF, 20pF, 30pF, etc.	
Shunt capacitance	静电容	7pF max.	
Level of drive	激励功率	10μW(1000μW max.)	
Aging	老化率	±3, ±5ppm/year	
Storage temperature range	储存温度	-55~+125°C	

Please consult for other specifications. (若有其它规格需求请告知)