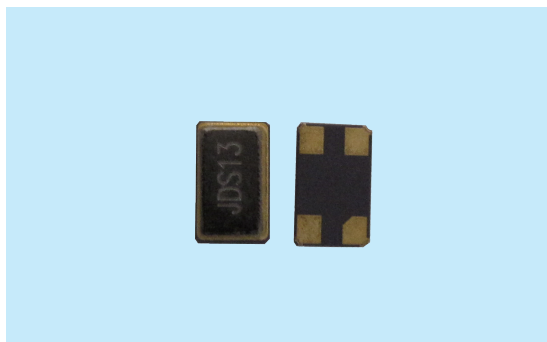


Products Information

SM4025



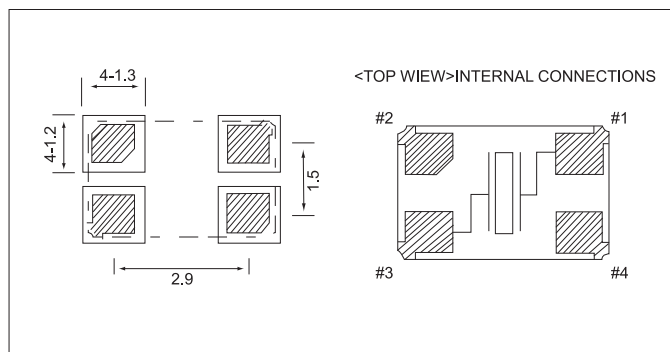
■ 用途

无线电话、小灵通、手机、卫星导航、蓝牙、网卡等

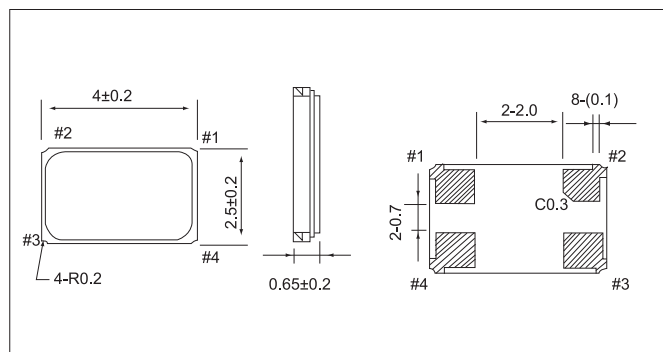
■ 特征

- 高精度及高稳定性。
- 无铅符合绿色环保。
- 回流焊、编带包装。

■ RECOMMENDED LAND PATTERN [mm]



■ DIMENSION [mm]



■ STANDARD SPECIFICATION

Item	Type	SM4025	
Frequency Range		12~28MHz	28~50MHz
Mode		Fundamental	
Load Capacitance		Series, 8pF, 10pF, 12pF, 20pF	
Drive Level		10μW(300μW max.)	
Frequency Tolerance		±10ppm~±50ppm(at 25 °C)	
Equivalent Series Resistance		60Ω max.	50Ω max.
Frequency Characteristics Over Temperature		±10ppm / -10~+60 °C	
		±20ppm / -20~+70 °C	
Operating Temp.Range		±30ppm/-40~+85 °C	
Storage Temp.Range		-55~+125 °C	

Please consult for other specifications. (若有其它规格需求请告知)