

SM49



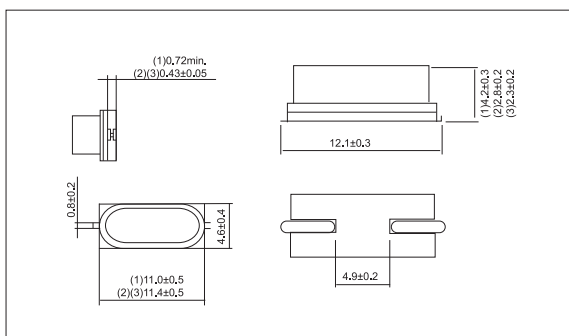
■ 用途

个人电脑、笔记本电脑、扩充卡、显示屏、高频头、机顶盒、无线通讯、数码相机、汽车电子、工业自动化、仪表仪器等

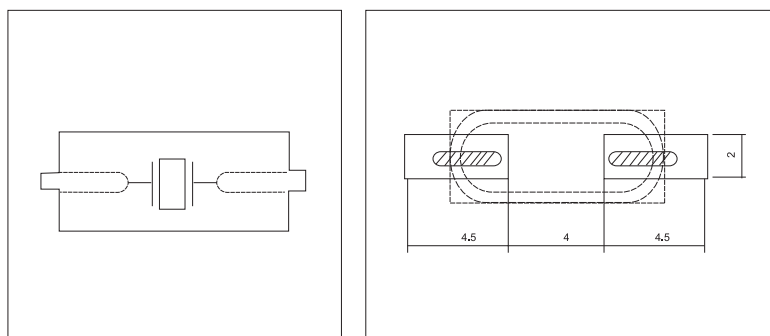
■ 特征

- 矮形金属封装
- 价格低
- 老化率好
- 频率范围广

■ DIMENSIONS [mm]



■ INTERNAL CONNECTIONS ■ Recommended Land Pattern



■ STANDARD SPECIFICATION

Item	Type	SM49A	SM49B	SM49C
Frequency Range Overtong Order		3.2~33.9MHz (Fundamental) 26~70MHz (3rd overtone)	3.579~16MHz (Fundamental) 26~48MHz (3rd overtone)	16~33.9MHz (Fundamental) 48~70MHz (3rd overtone)
Load Capacitance		Series 8pF, 10pF, 12pF, 16pF, 20pF		
Drive Level		Fundamental: 10μW(300μW max.) 3rd overtone: 50μW(1mW max.)		
Frequency Tolerance		±20×10 ⁻⁶ , ±100×10 ⁻⁶ (at 25°C)		
Series Resistance		40~300Ωmax.		40~100Ωmax.
Frequency Characteristics over Temperature		±10×10 ⁻⁶ /-10~+60°C, ±20×10 ⁻⁶ /-20~+70°C, ±30×10 ⁻⁶ /-40~+85°C,		
Storage Temperature Range		-30~+80°C		
Aging		±3×10 ⁻⁶ max/year		
Packing Unit		1000pcs/reel(Φ330)		

Please consult for other specifications. (若有其它规格需求请告知)

Consult our sales representative for other specifications.