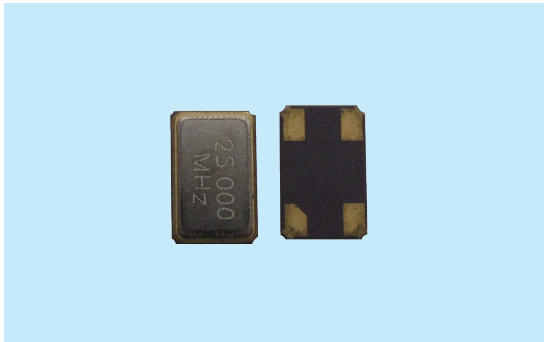


Products Information

SM5032



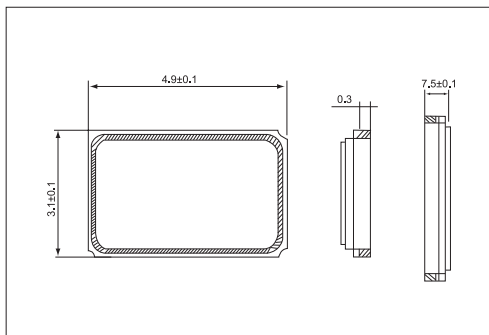
■ 用途

无线电话、小灵通、手机、卫星导航、蓝牙、网卡等

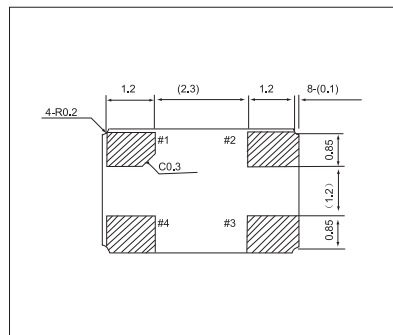
■ 特征

- 高精密及高稳定性。
- 无铅符合绿色环保。
- 回流焊、编带包装。

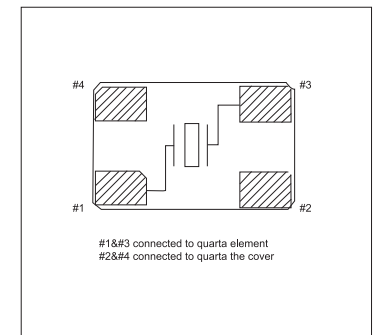
■ DIMENSIONS [mm]



■ TEST CIRCUIT



■ WAVEFORM



■ STANDARD SPECIFICATION

Item	Type	SM5032	
Frequency Range		10~12MHz	12~40MHz
Overtone Order		Fundamental	
Load Capacitance		Series, 8pF, 10pF, 12pF, 20pF	
Drive Level		10μW(300μW max.)	
Frequency Tolerance		±10×10 ⁻⁶ , ±20×10 ⁻⁶ , ±30×10 ⁻⁶ (at 25°C)	
Series Resistance		80Ω max.※	50Ω max.※
Frequency Characteristics over Temperature		±10×10 ⁻⁶ /-10°C~+60°C	
		±20×10 ⁻⁶ /-20°C~+70°C	
		±30×10 ⁻⁶ /-40°C~+85°C	
Storage Temperature Range		-55~+125°C	
Packing Unit		1000pcs/reel(Φ250)	

Please consult for other specifications. (若有其它规格需求请告知)