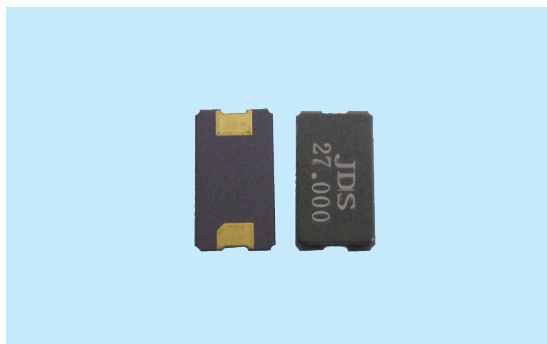


SM8045



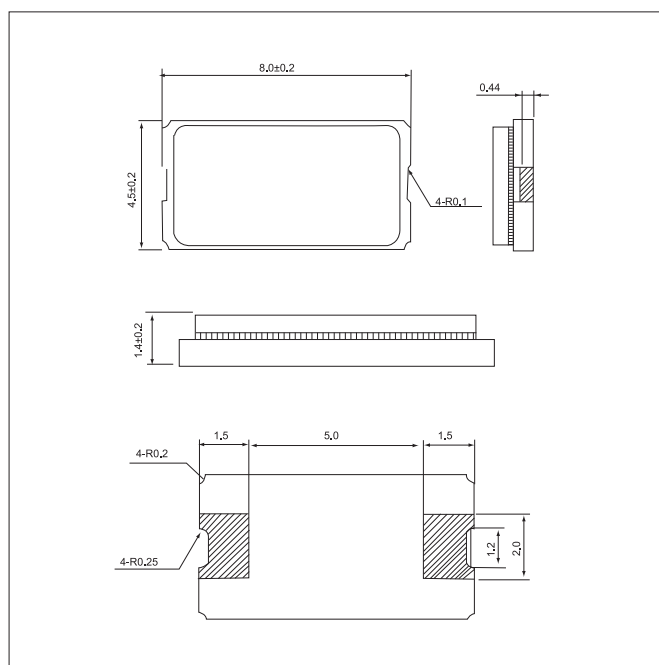
■ 用途

无线电话、小灵通、手机、卫星导航、蓝牙、网卡等

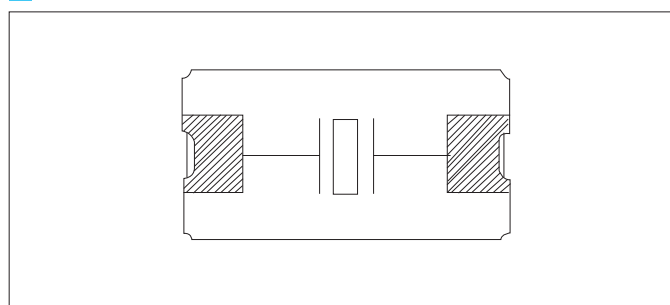
■ 特征

- 高精密及高稳定性。
- 无铅符合绿色环保。
- 回流焊、编带包装。

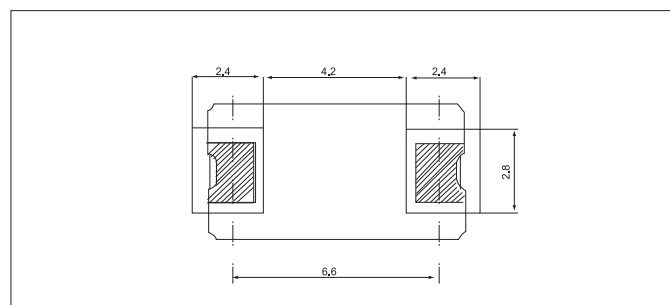
■ DIMENSIONS [mm]



■ INTERNAL CONNECTIONS



■ RECOMMENDED LAND PATTERN



■ STANDARD SPECIFICATION

Item	Type	SM8045			
		8~10MHz	10~12MHz	12~50MHz	40~80MHz
Frequency Range		8~10MHz	10~12MHz	12~50MHz	40~80MHz
Overtone Order		Fundamental			3rd overone
Load Capacitance		Series, 8pF, 10pF, 12pF, 20pF			Series
Drive Level		10 μ W(300 μ W max.)			10 μ W(500 μ W max.)
Frequency Tolerance		$\pm 10 \times 10^{-6}$, $\pm 20 \times 10^{-6}$, $\pm 30 \times 10^{-6}$ (at 25 °C)			
Series Resistance		150 Ω max.	80 Ω max.	50 Ω max.	70 Ω max.
Frequency Characteristics over Temperature		$\pm 10 \times 10^{-6}$ / -10 °C ~ +60 °C			
		$\pm 20 \times 10^{-6}$ / -20 °C ~ +70 °C			
		$\pm 30 \times 10^{-6}$ / -40 °C ~ +85 °C			
Storage Temperature Range		-55 ~ +125 °C			
Packing Unit		1000pcs/reel			

Please consult for other specifications. (若有其它规格需求请告知)